



*Worcester Controls Series 22
Double Block & Bleed Manifold Valve*



Experience In Motion

Recognising the need for plant safety during maintenance, Flowserve Worcester have developed a double block and bleed design which utilises a manifold in conjunction with three A44/A459 style valve bodies, which can be supplied with screwed, weld and flanged end connection variations.

This innovative arrangement provides two ball valves for upstream and downstream isolation with the third valve used to drain and to ensure total downstream isolation of the system.

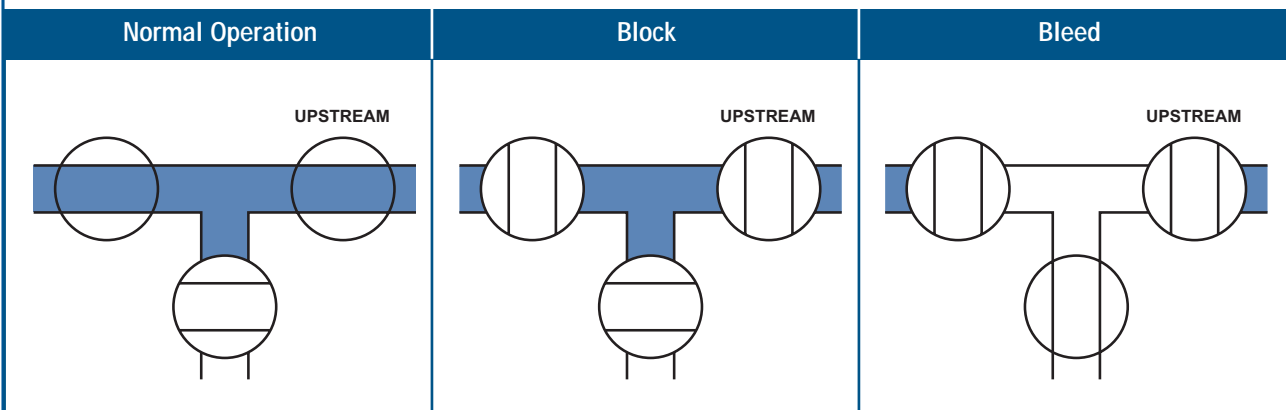
It also provides the benefits of space, weight and cost compared with using separate valves.

Features

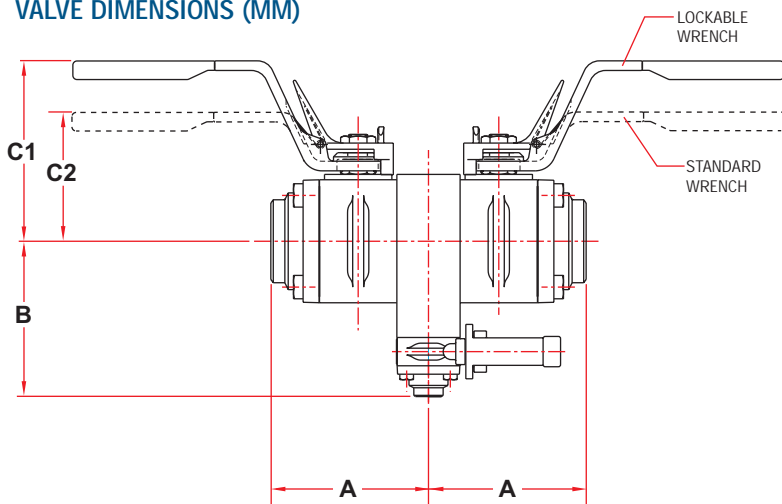
- Based on standard A44/A459 design
- Compact design
- Wide range of materials
- Actuator mounting platform
- Locking wrench available
- Full valve pressure rating

Benefits

- Proven performance
- Saves space and weight
- To suit various applications
- For ease of automation
- For safety integrity
- Suitable for process line pressures



VALVE DIMENSIONS (MM)



Valve Size	A	B	C1	C2	Weight (kg)
15	66.55 65.42	93.85 92.12	93.0	26.6	3.2
20	71.31 70.19	93.85 92.12	95.5	29.0	3.5
25	86.25 85.12	103.85 102.12	105.5	38.0	5.5
32	97.20 96.07	103.85 102.12	110.5	36.97	6.8
40	105.01 103.89	113.85 112.12	126.5	43.87	9.2
50	115.24 114.11	113.85 112.12	131.0	48.62	11.8
65	134.34 133.26	122.65 121.52	156.1	N/A	22.0
80	149.84 148.71	129.69 128.52	200.4	N/A	32.0
100	180.47 179.34	148.65 147.52	213.5	N/A	49.0
150	239.76 238.64	175.65 174.52	274.8	N/A	103.0

For Pressure / Temperature Ratings please refer to A44/A459 Literature
For flanged connector versions, refer to technical sales for details / dimensions.

WCEBR0024-01 Printed in Germany. (Replaces PB 20 REV 04/04 UK)

To find your local Flowserve representative:

For more information about Flowserve Corporation, visit www.flowserve.com or call USA 1 800 225 6989



Flowserve Flow Control (UK) Ltd.
Worcester Controls
Burrell Road, Haywards Heath
West Sussex RH16 1TL
United Kingdom
Telephone: +44 (0)1444 314400
Telefax: +44 (0)1444 314401
Email: wwukinfo@flowserve.com